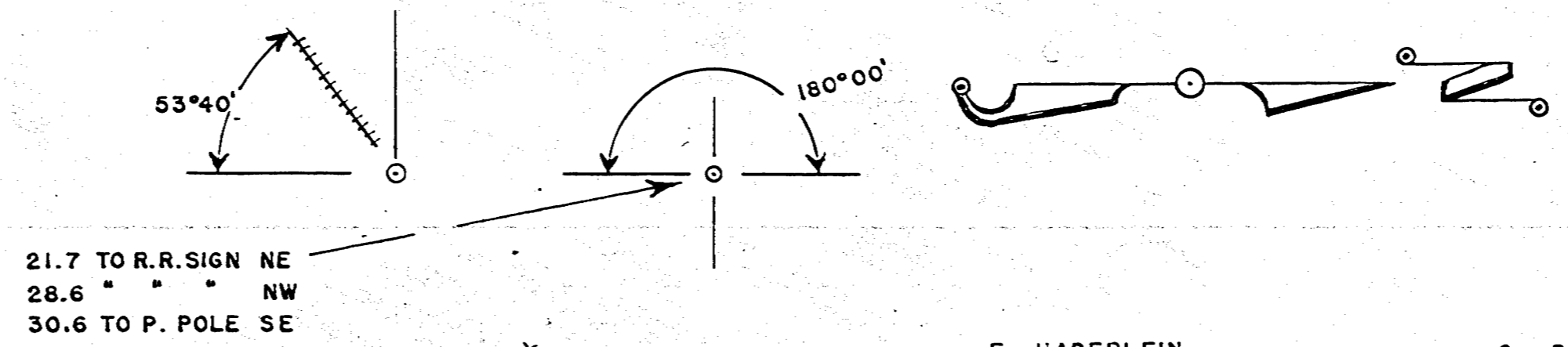


P.R.A. DISTRICT OFFICE	PROJECT	SHEET NUMBER	TOTAL SHEETS
WIS. 5 N			

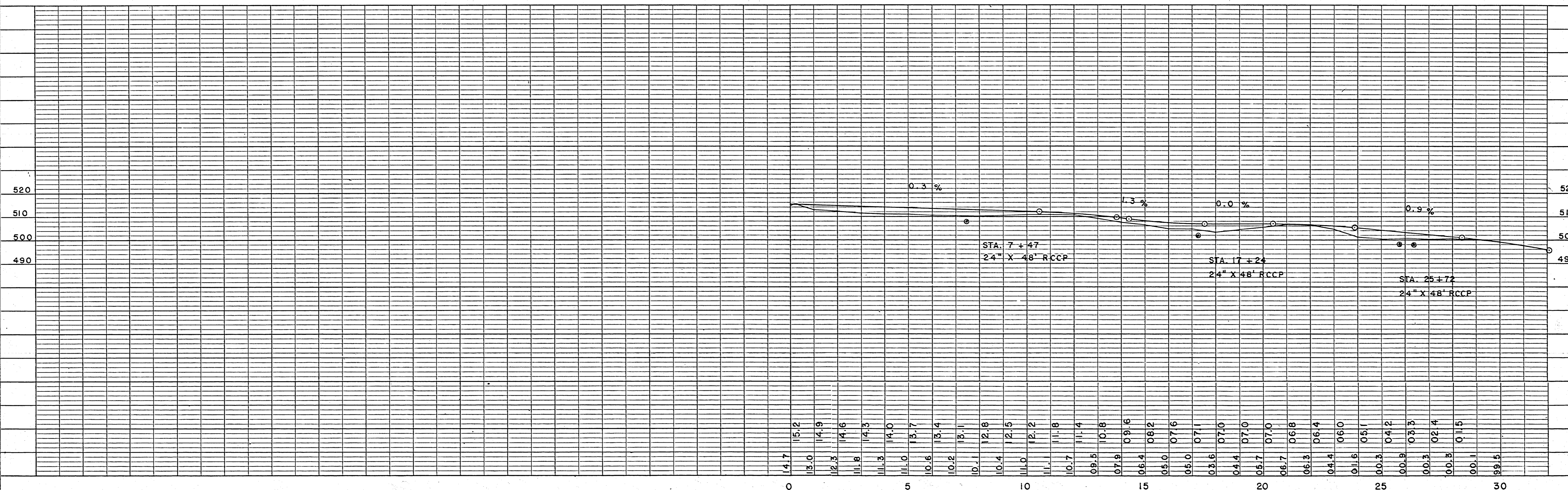
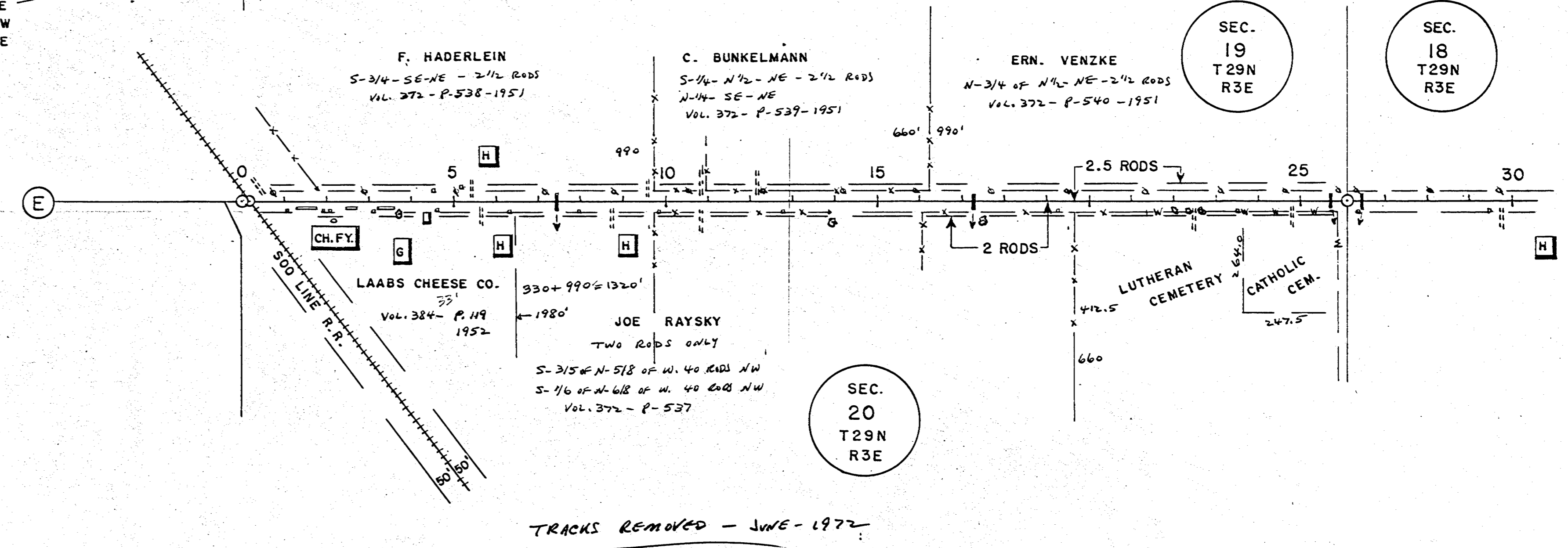
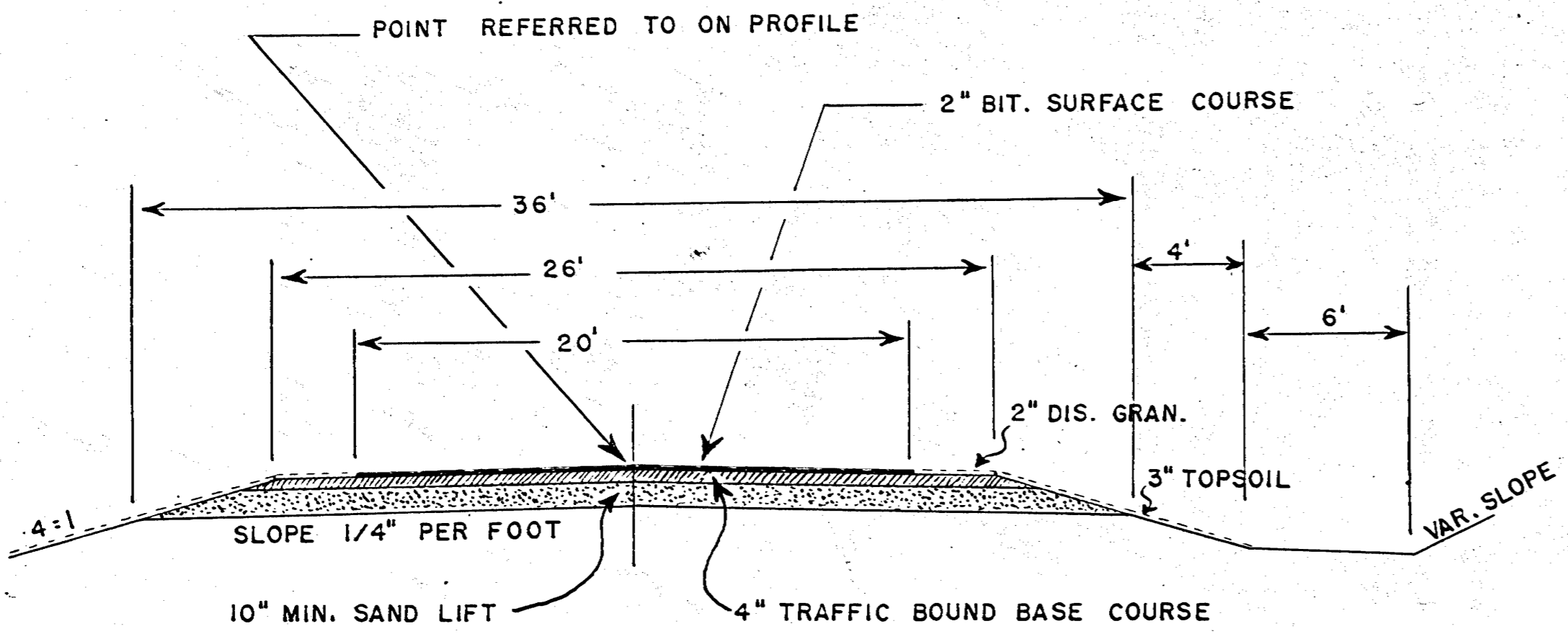
BENCH MARKS			
1	3+73	SPIKE IN 12" ELM	30' R 512.47
2	17+48	" " 18" ELM	47' R 503.51
3	29+40	" " 12" POPPLE	60' R 499.65



PLAN	DATE
SURVEYED C.E.C.	4-51
PLOTTED C.E.C.	
NOTE BOOK NO.	

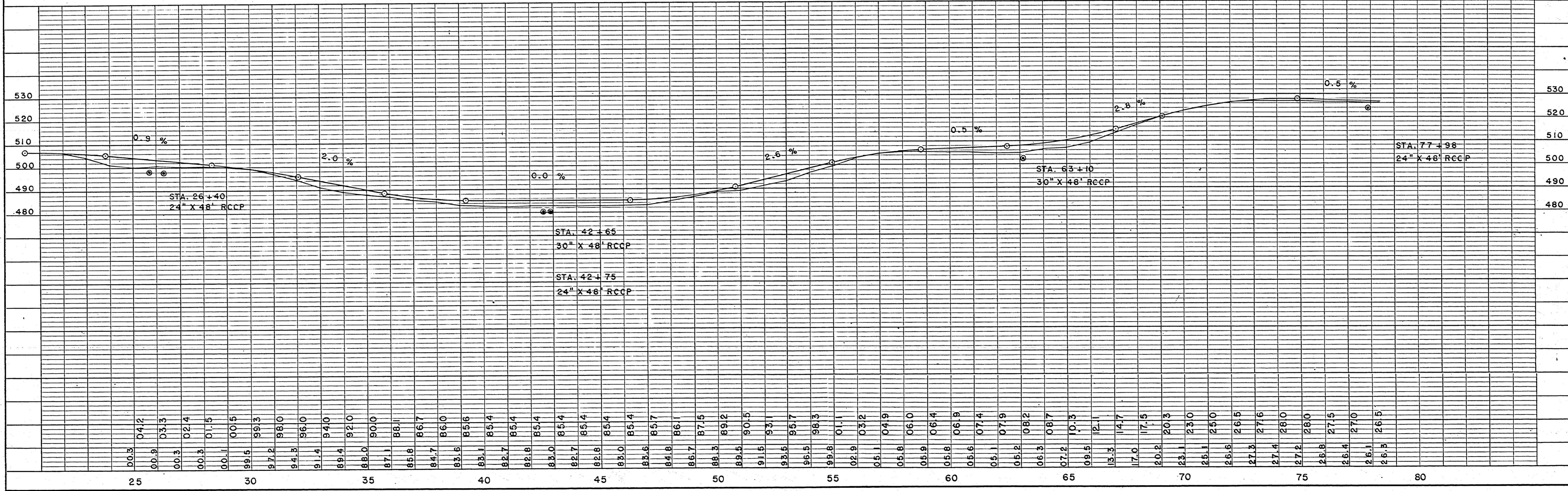
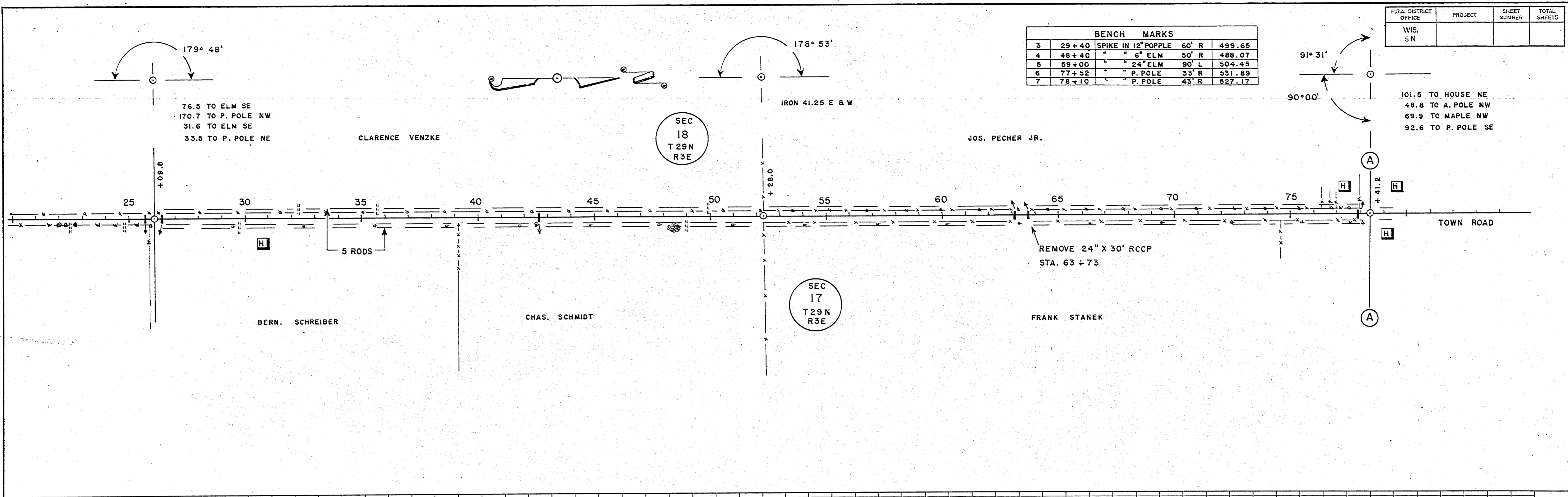
PROFILE	DATE
SURVEYED C.E.C.	4-51
PLOTTED C.E.C.	
NOTE BOOK NO.	

TYPICAL SECTION



P.R.A. DISTRICT OFFICE	PROJECT	SHEET NUMBER	TOTAL SHEETS
WIS. SN			

BENCH MARKS			
3	29+40	SPIKE IN 12" POPPLE	60' R 499.65
4	48+40	" " 6" ELM	50' R 488.07
5	59+00	" " 24" ELM	90' L 504.45
6	77+52	" " P. POLE	33' R 531.89
7	78+10	" " P. POLE	43' R 527.17



PLAN  
 SURVEYED BY: C.E.C.  
 DATE: 4-5  
 NOTE BOOK: \_\_\_\_\_  
 RT. OF WAY CHECKED: \_\_\_\_\_  
 NO.: \_\_\_\_\_

PROFILE  
 SURVEYED BY: C.E.C.  
 DATE: \_\_\_\_\_  
 NOTE BOOK: \_\_\_\_\_  
 E. & M. NOTED: \_\_\_\_\_  
 STRUCTURE NOTATIONS CHECKED: \_\_\_\_\_  
 NO.: \_\_\_\_\_